



ZEN TECHNICAL TIP #22

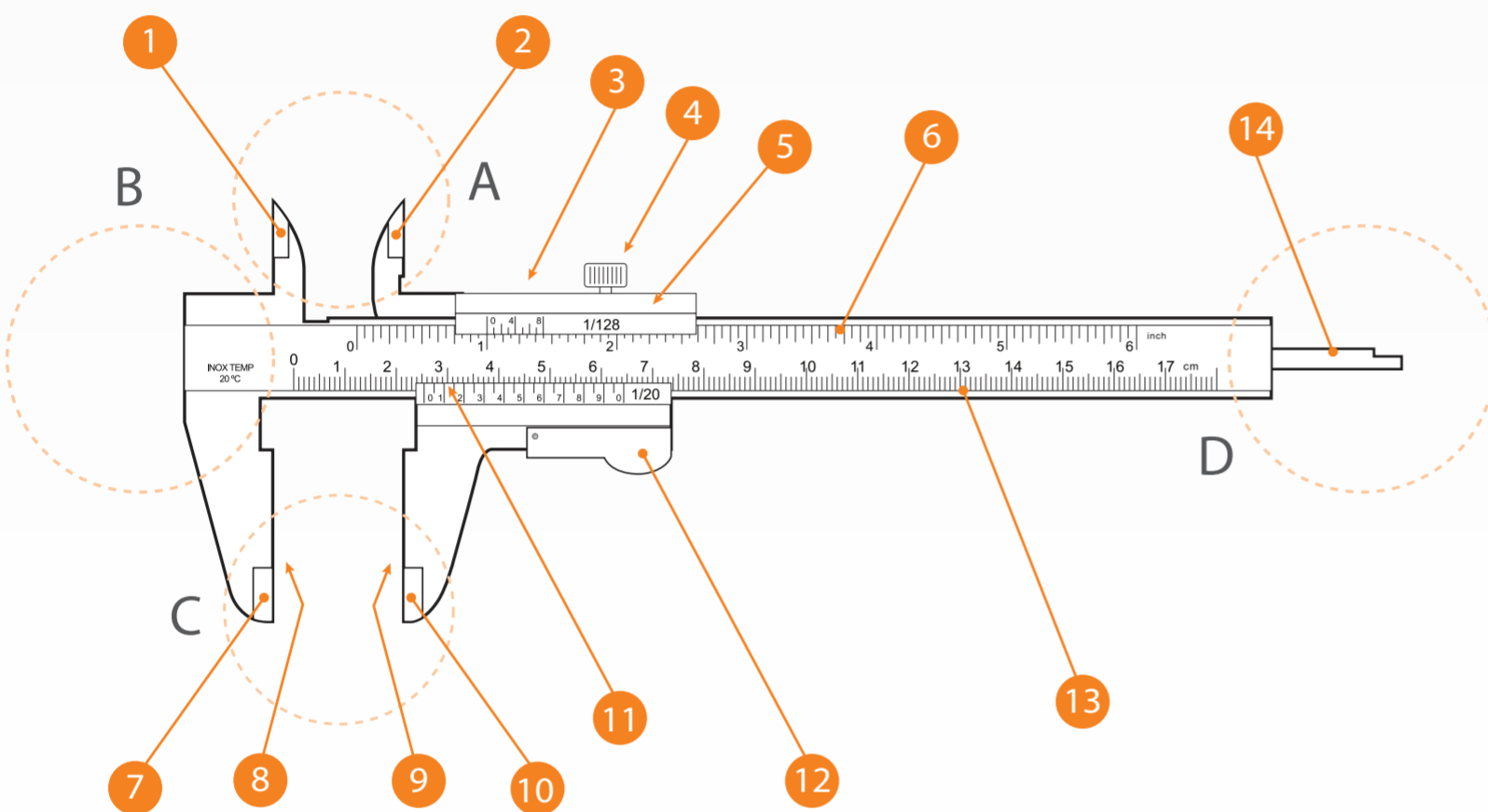
HOW TO CORRECTLY USE A CALIPER AND MEASUREMENT METHODS



The caliper is a measuring instrument, used in linear, internal, external dimensions, depth and shoulders of a part. This tool is indispensable for mechanics and rebuilders.

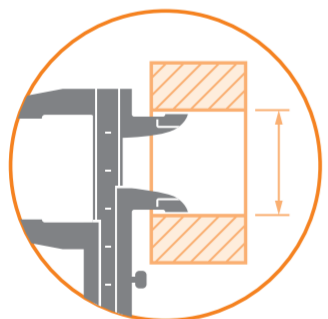


HOW TO USE.



- 1 Fixed Ear
- 2 Mobile Ear
- 3 Nylon or Vernier (inch)
- 4 Locking screw
- 5 Cursor
- 6 Inches fixed scale
- 7 Fixed nozzle
- 8 Fixed backrest
- 9 Mobile backrest
- 10 Mobile nozzle
- 11 Nonius or vernier (mm / cm)
- 12 Impeller
- 13 Fixed scale of millimeters
- 14 Depth Rod

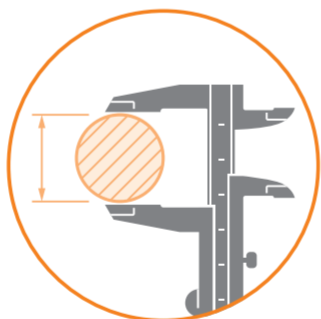
• Ways to measure:



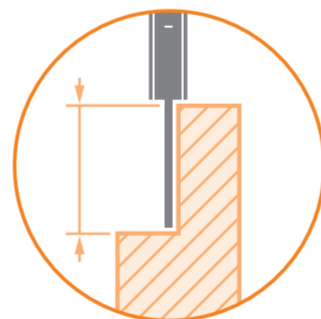
A - Internal



B - Rebound



C - External



D - Depth

• Its accuracy depends on some precautions:

Avoid: Shock, falls, scratches, oxidation, dirt, excessive use loads, measure causing friction between the part and instrument; Cautions: USE wood, rubber or felt protection to support the instrument.

► If you have any questions, please contact our office, and our service representatives will be happy to assist you.